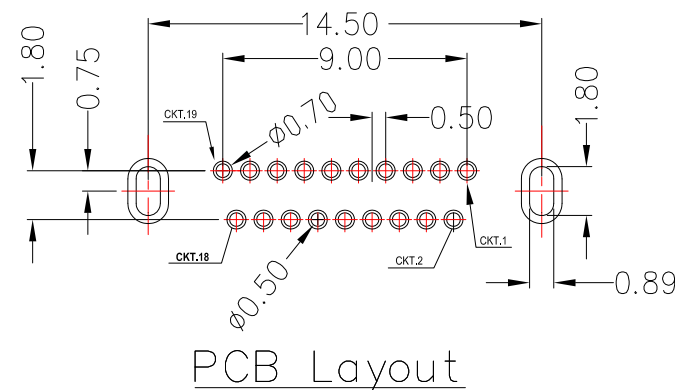


### HDMI-19P-VA-x-S297

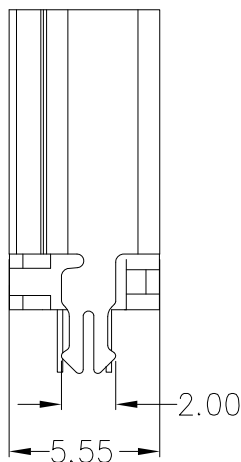
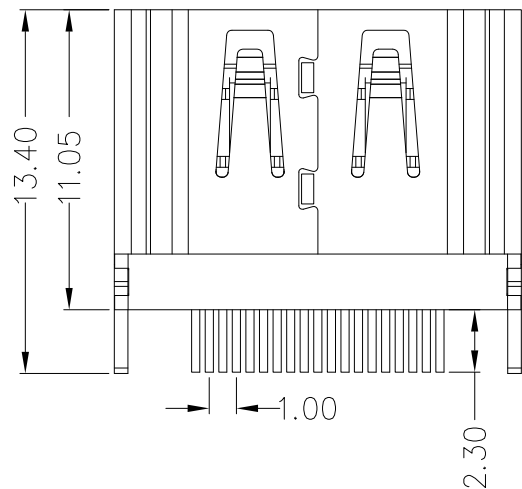
鍍層厚度:

Blank	: 1u"
2	: 15u"
3	: 30u"



**NOTE:**

- 1.MATERIAL:
  - 1.1 HOUSING:LCP
  - 1.2 CONTACT:BRASS
  - 1.3 SHELL: BRASS
- 2.PLATING :
  - 2.1 CONTACT: Au PLATING ON THE CONTACT AREA;  
TIN PLATING ON THE SOLDER AREA;  
NICKEL UNDERPLATING OVERALL;
  - 2.2 SHELL: NICKEL PLATING OVERALL;
- 3.ELECTRICAL:
  - 3.1 RATING: 0.5A
  - 3.2 DIELECTRIC WITHSTANDING VOLTAGE: AC 500V
  - 3.3 INSULATION RESISTANCE: 100M $\Omega$  MIN;
  - 3.4 CONTACT RESISTANCE: 30 m $\Omega$  MAX;
  - 3.5 OPERATING TEMPERATURE: -20 $^{\circ}$ C~ 85 $^{\circ}$ C



TOLERANCE UNLESS OTHERWISE STATED :

Up to 5	$\pm 0.2$
Above 5 ~ 15	$\pm 0.3$
Above 15 ~ 30	$\pm 0.4$
Above 30 ~ 50	$\pm 0.5$
Angle	$\pm 0.3^{\circ}$

3RD. ANGEL'S UNITS MM

DRAWN BY:	DATE	MAT'L	TITLE	CONNECTOR
Jack Lu	07/21/23			
CHECKED BY:	DATE	FINISH	MODLE	HDMI A TYPE 母座插板式
Jacky Chen	07/21/23			
APPROVED BY:	DATE	SCALE	DWG NO.	HDMI-19P-VA-x-S297
Tony Kao	07/21/23	1 : 1	PART NO.	HDMI-19P-VA-x-S297
		SHEET NO.	1 of 1	
				SIZE A4
				VER R1

1	更新圖面	Jack	072123
ITEM NO.	DESCRIPTION	DRAWN	DATE